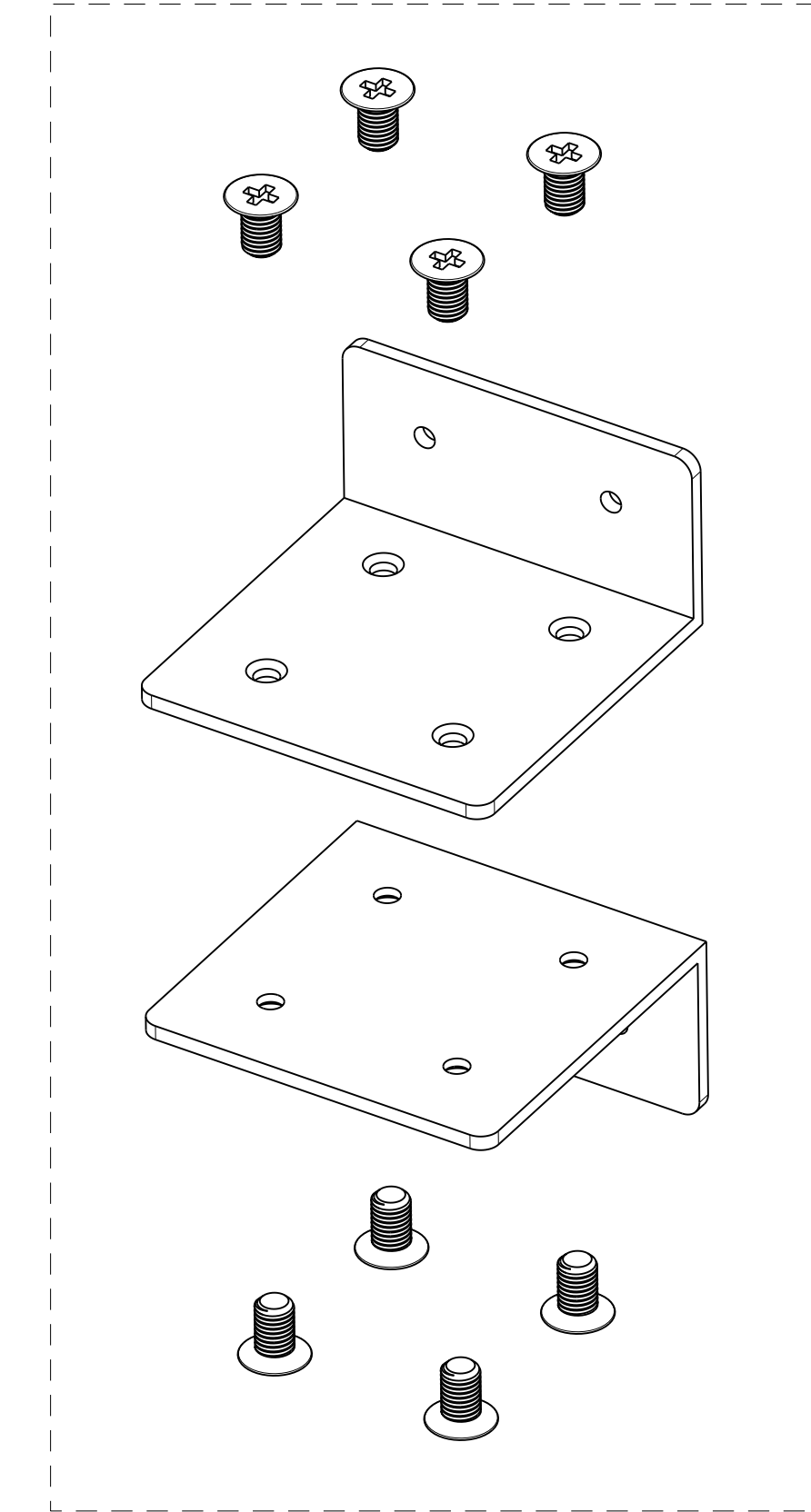
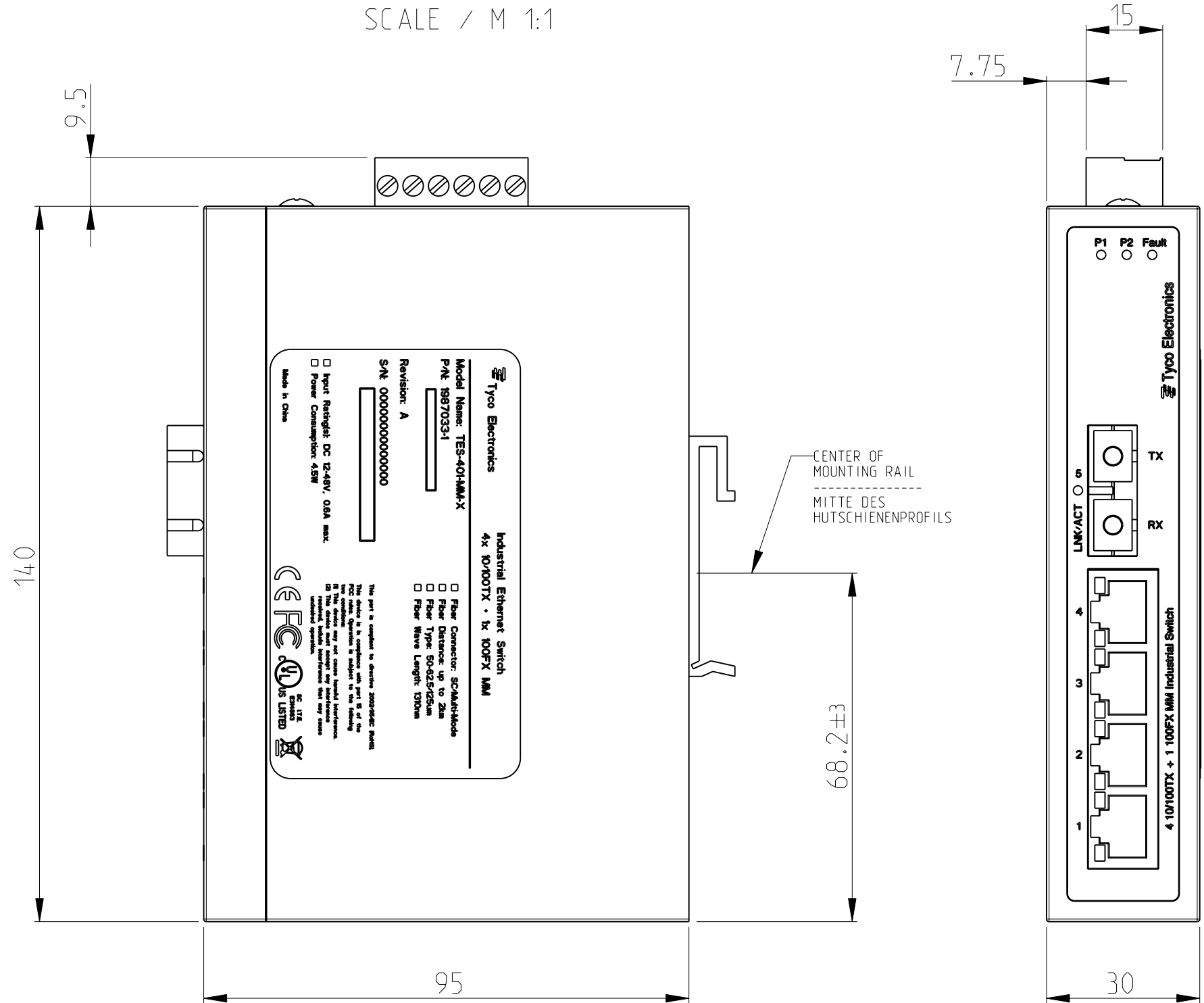
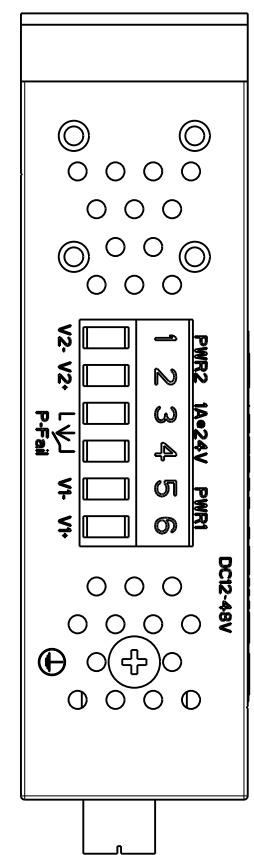
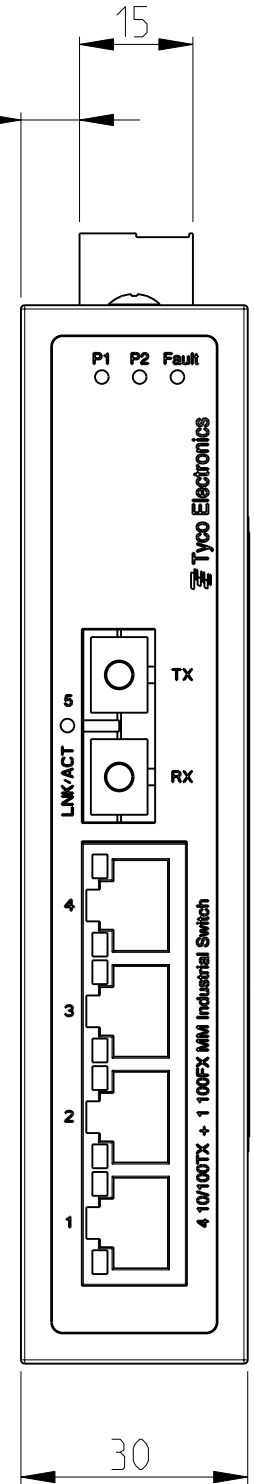


1987033-1 AS SHOWN

SCALE / M 1:1

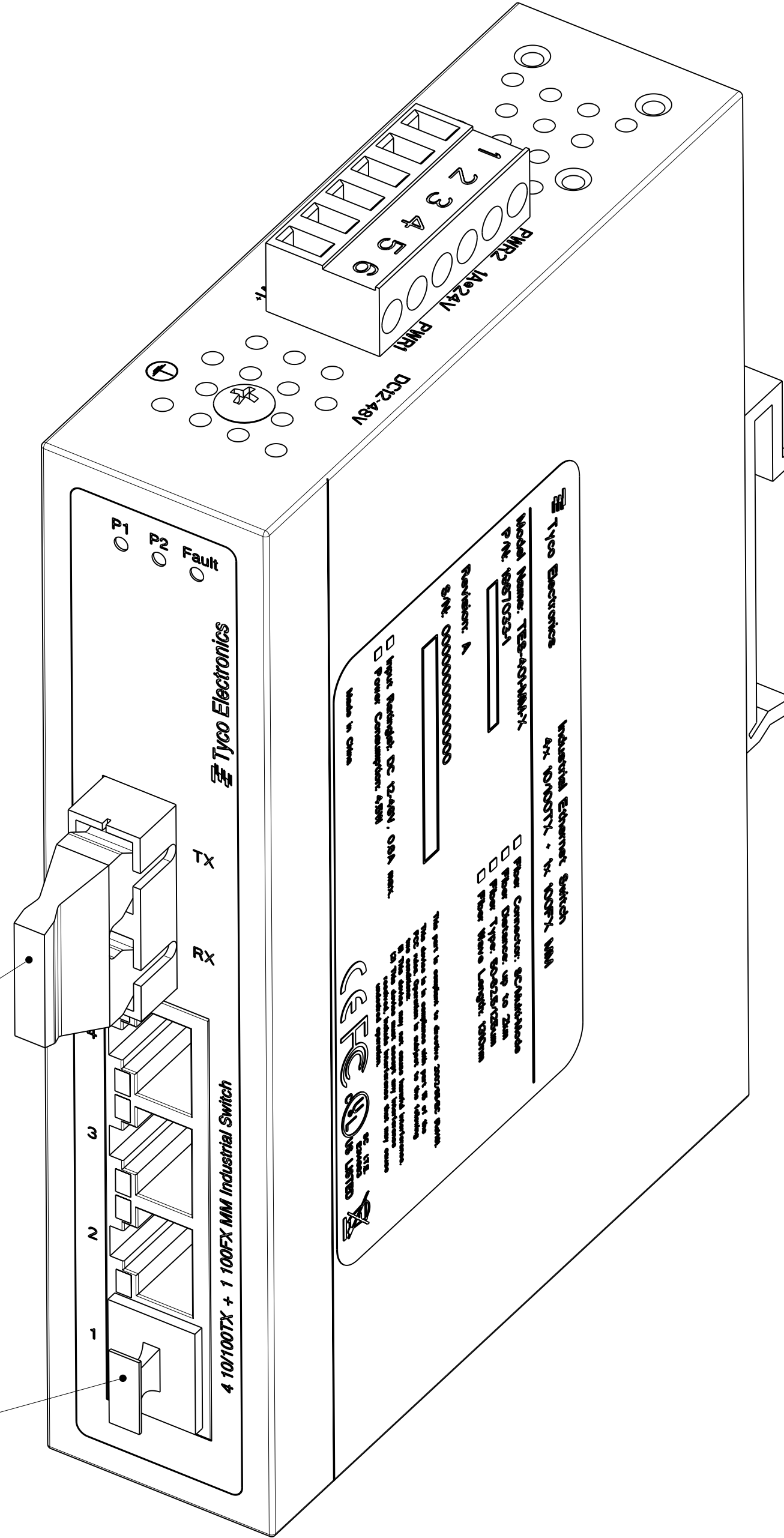


WALL MOUNTING KIT
 ENCLOSED
 WANDMONTAGE-BAUSATZ
 BEILIEGEND

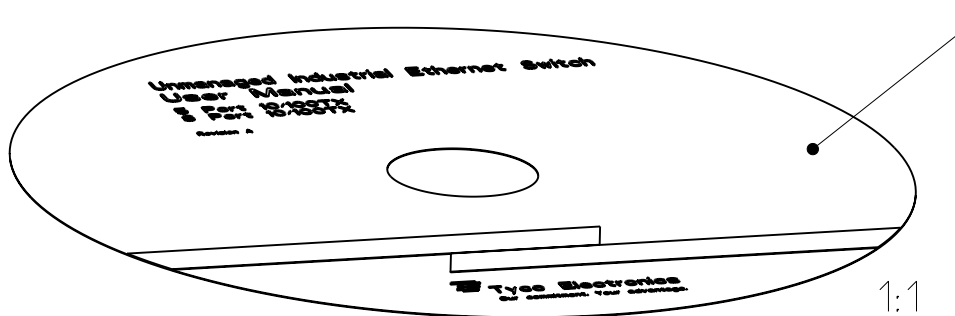


DUST COVER
 FOR FIBER PORT
 1 x ENCLOSED
 STAUBSCHUTZKAPPE
 FUER FASER-
 OPTISCHEN EINGANG
 1 x BEILIEGEND

DUST COVER
 FOR RJ45 PORT
 4 x ENCLOSED
 STAUBSCHUTZKAPPE
 FUER RJ45-EINGANG
 4 x BEILIEGEND



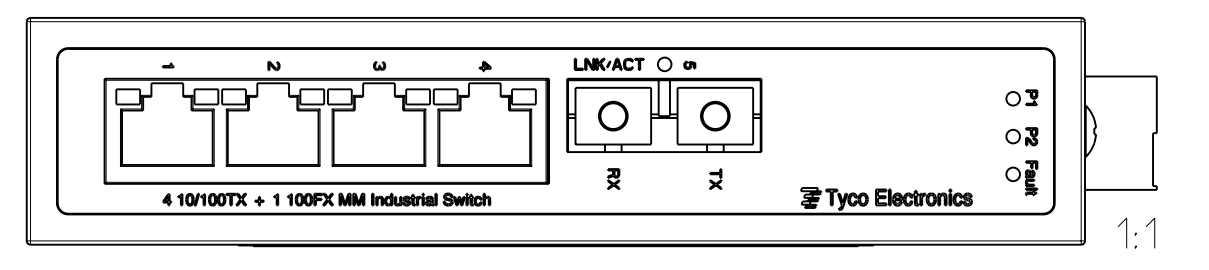
1987033-1 AS SHOWN



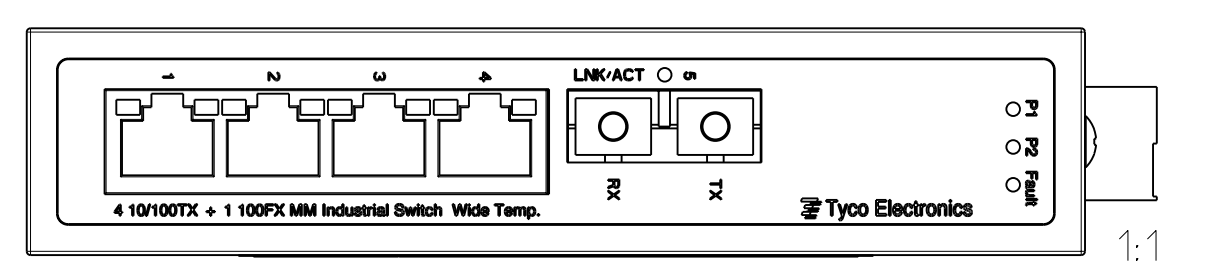
USER MANUAL CD
 ENCLOSED
 BEDIENUNGSANLEITUNGS-CD
 BEILIEGEND

HARDWARE SPECIFICATION	
1	ETHERNET STANDARD COMPLIANCE IEEE 802.3 - 10BASE-T IEEE 802.3u - 100BASE-TX AND 100BASE-FX IEEE 802.3x - FLOW CONTROL AND BACK PRESSURE
2	SWITCH ARCHITECTURE STORE-AND-FORWARD SWITCHING ARCHITECTURE BACK-PLANE (SWITCHING FABRIC): 1.0Gbps PACKET THROUGHPUT ABILITY (FULL DUPLEX): 1.488Mpps @ 64bytes
3	TRANSFER RATE 10BASE-T PORT: 14 880pps 100BASE-TX/FX PORT: 148 800pps
4	MAC ADDRESS 1K MAC ADDRESS TABLE
5	ETHERNET PORTS - 4 x 10/100TX RJ-45 - 1x 100FX SC CONNECTOR FOR MULTI-MODE (MM). WAVE LENGTH 1310nm MULTI-MODE FIBER: 50/125µm-62.5/125µm. MAX. DISTANCE 2km - AUTO MDI/MDI-X SUPPORT
6	LED PER UNIT: POWER 1 (GREEN), POWER 2 (GREEN), FAULT (RED) PER PORT: LINK/ACTIVE (GREEN), FULL DUPLEX/COLLISION (YELLOW)
7	POWER SUPPLY WIDE RANGE SUPPLY: 12 TO 48 V DC REVERSE POLARITY PROTECTED OVERLOAD CURRENT PROTECTED (RE-SETTABLE FUSE)
8	POWER CONSUMPTION 4.5 WATTS

FRONT PANEL 1987033-1



FRONT PANEL 1987033-2



TYCO ELECTRONICS ORDER NO. BESTELL-NR.		
1987033-2	1987033-1	
1	2	4 10/100TX + 1 100FX MM SWITCH TES-401-MM-XE WIDE OPERATING TEMPERATURE RANGE -40 °C TO 75 °C
-	1	4 10/100TX + 1 100FX MM SWITCH TES-401-MM-X STANDARD OPERATING TEMPERATURE RANGE -10 °C TO 60 °C
QUANTITY STUECK	ITEM NO. POS.	DESCRIPTION BENENNUNG

DIMENSIONS MASSENEIEN: (mm)		TOLERANCES, UNLESS OTHERWISE SPECIFIED: ALLGEMEINTOLERANZEN		DWN S. STOLZ 05JUN2007		tyco Electronics Tyco Electronics AMP GmbH 64625 Bensheim (Germany)	
MATERIAL -		FINISH/SCHLUESS/FARBE -		CAX B. BERGNER 05JUN2007		NAME INDUSTRIAL ETHERNET SWITCH TES-401-MM-X(E) 4 x 10/100TX + 1x 100FX MM	
WEIGHT GEWICHT 440 g		CUSTOMER DRAWING /KUNDENZEICHNUNG		APVD P. KRAEMER 05JUN2007		SIZE CAGE CODE DRAWING NO. ZEICHNUNGS-NR. A1 00779 C-1987033	
RESTRICTED TO NUR FUER -		SCALE MASSSTAB 2:1		SHEET BLATT 1 OF VON 1		REV A4	